



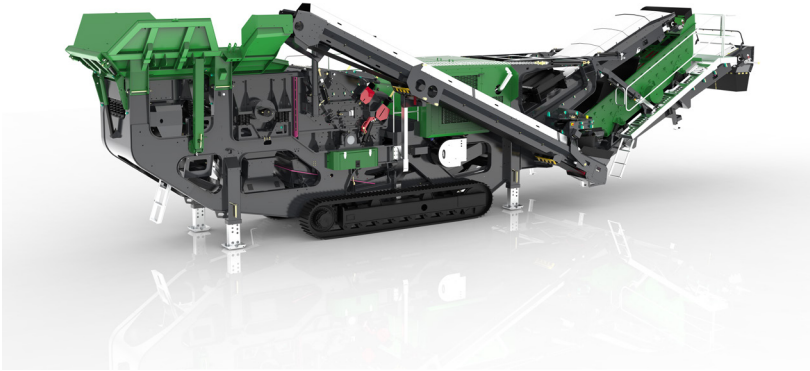
I44R IMPACT CRUSHER

The I44R Recirculating Impact Crusher continues to bring high quality and high production capacity and offers exceptional versatility, making it suitable for a wide range of applications. It can handle various materials, including aggregates, concrete, asphalt, and recycling materials, making it ideal for construction, demolition, and quarrying operations.

FEATURES

- ✓ 1050mm (41.3") diameter x 1125mm (44.3") wide Impactor
- ✓ 268kW (360Hp) engine
- ✓ Integrated hydraulic folding hopper
- ✓ I-beam plate fabricated chassis construction
- ✓ Open chassis design for ease of maintenance
- ✓ Fast setup time
- ✓ Integrated hydraulic folding stockpiling conveyors
- ✓ 365SiteConnex Telematics enabled.

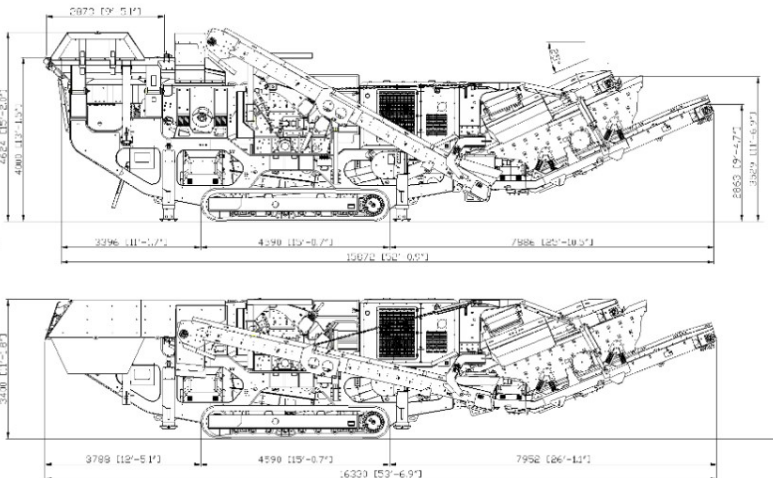
I44R TECH SPECS



The I44R features a large impact chamber with a 4-bar rotor and a 45.6" x 32" feed opening. This design enables excellent crushing performance and ensures consistent product shape and size.

Efficiency is boosted with the I44R crusher design, particularly in the material flow path. Each sectional component is wider than the last to allow an unrestricted flow without funneling or narrowing, eliminating material bridging.

Additional stockpiling is made possible with the swing out radial return conveyor. The I44R's exceptional crushing capabilities, integrated two-deck screen, and thoughtful design make it a highly efficient and productive solution for a wide range of crushing applications.



Engine	268 kW (360 Hp)
Impact Rotor	1050mm x 1125mm (41.3" x 44.3")
Double Deck Grizzly Pre-Screen	
Width*	1064mm (41.9")
Length (overall)	2015mm (6' 7.3")
Section Opening**	40-70mm (1.6" - 2.8")
Section Length	2113mm (83.2")
Pan Feeder	1064mm x 2460mm (41.8" x 96.9")
Hopper Volume	6.0m ³ (7.8 yd ³)
Stockpile Height	
Main Conveyor	3529mm (11' 6.9")
Side Conveyor	2488mm (8' 2")

TRANSPORT

Transport Height	3.40m (11' 1.8")
Transport Length	16.330m (53' 6.9")
Transport Width (500)	3.262m (10' 8.4")
Transport Width (650)	3.412m (11' 2.2")
Weight - w/ magnet & dirt conveyor	53,408 kg (117,744 lb)

OPTIONS

Main Conveyor Variable Speed Control |
Hopper Extensions | Overband Magnet |
Water Pump & Dust Suppression System |
Various Blow Bar Material Options | Work
Lights | Belt Scale